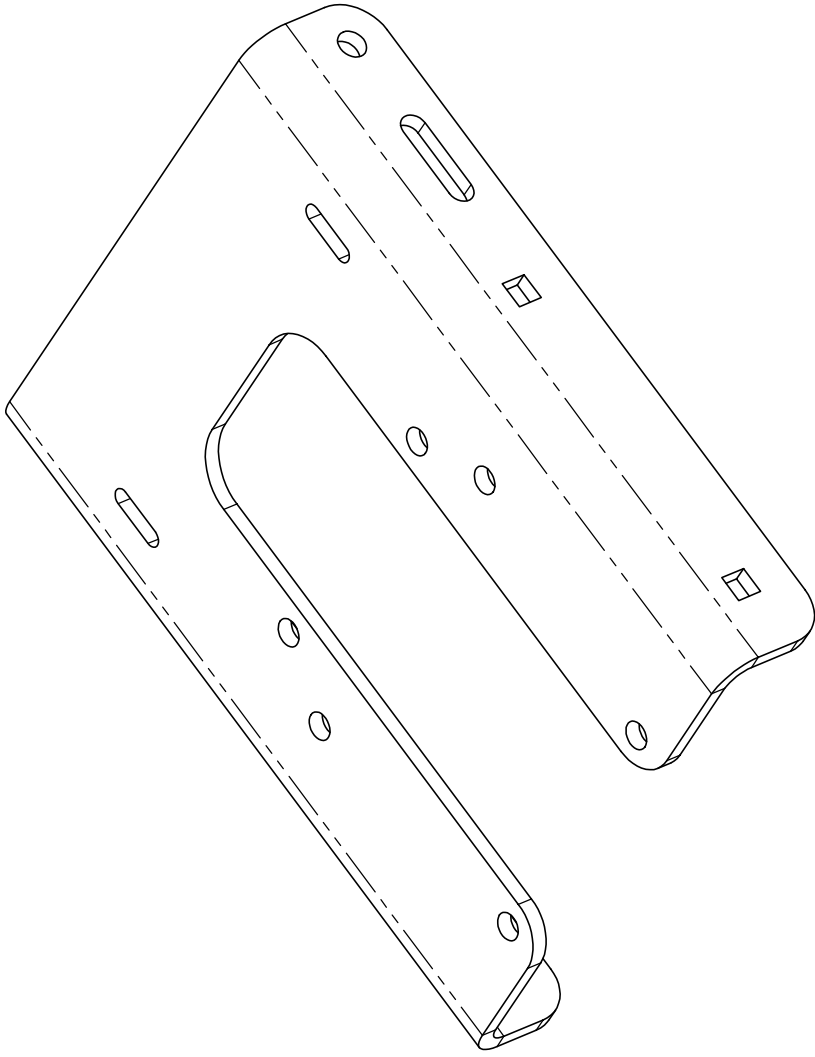


THE INFORMATION CONTAINED IN THIS DRAWING IS THE SOLE PROPERTY OF IRONWOOD PACIFIC, INC. ANY REPRODUCTION IN PART OR WHOLE WITHOUT THE WRITTEN PERMISSION OF IRONWOOD PACIFIC, INC IS PROHIBITED.



UNLESS OTHERWISE SPECIFIED
DIMENSIONS ARE IN INCHES
TOLERANCES ARE:
DECIMALS ANGLES
.X + .05 + 1.0 DEG
.XX + .01 + 1.0 DEG
.XXX + .005 + 0.5 DEG

APPROVALS DATE

RESP ENG BT

CAD GENERATED DRAWING,
DO NOT MANUALLY UPDATE
DO NOT SCALE DRAWING

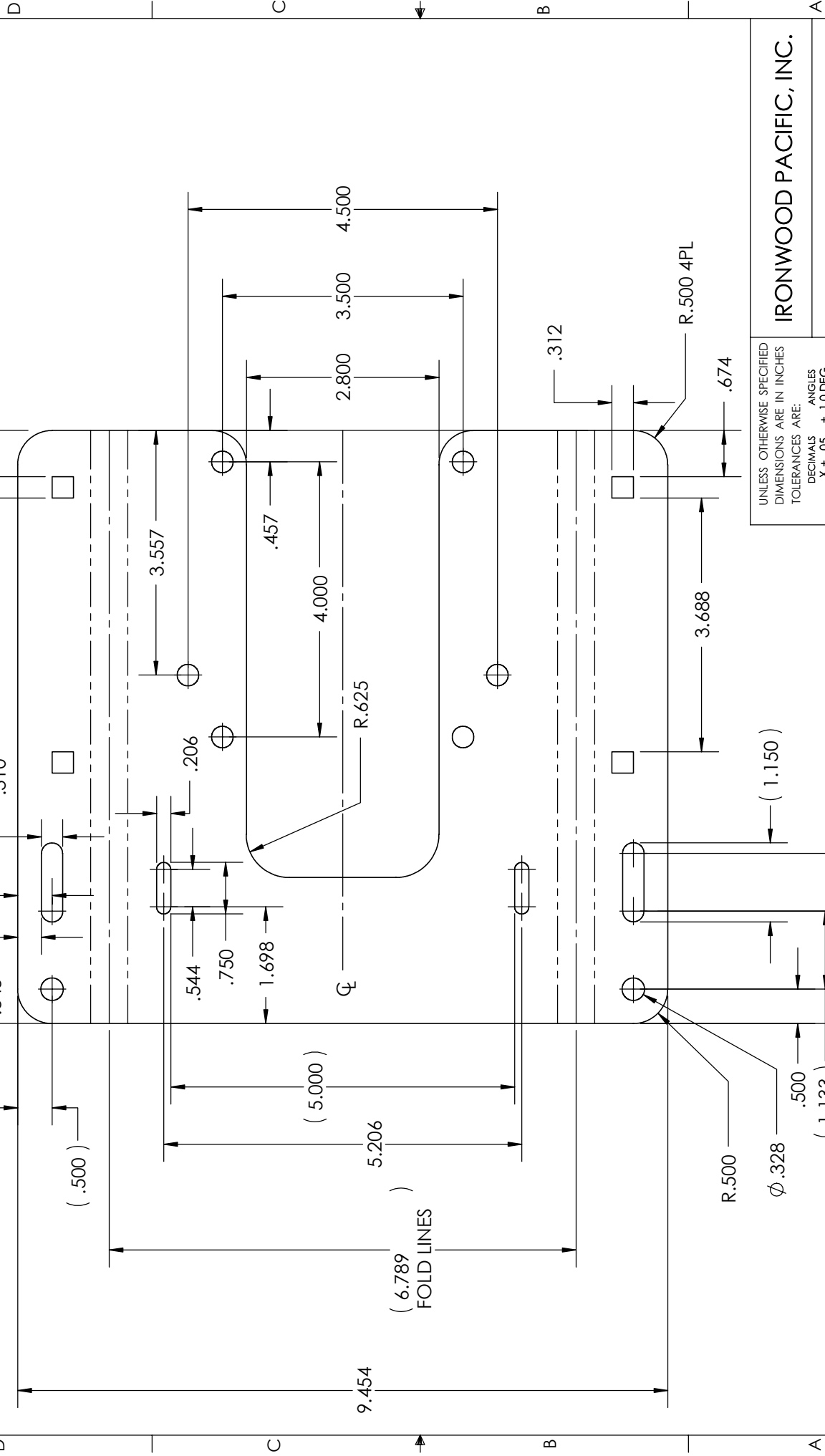
IRONWOOD PACIFIC, INC.

STABILIZER

SIZE DWG. NO. REV.
A 03-1091 D
SCALE CAD FILE: Stabilizer SHEET 2 OF 3

THE INFORMATION CONTAINED IN THIS DRAWING IS THE SOLE PROPERTY OF IRONWOOD PACIFIC, INC. ANY REPRODUCTION IN PART OR WHOLE WITHOUT THE WRITTEN PERMISSION OF IRONWOOD PACIFIC, INC IS PROHIBITED.

8 7 6 5 4 3 2 1



UNLESS OTHERWISE SPECIFIED DIMENSIONS ARE IN INCHES
 TOLERANCES ARE:
 DECIMALS ANGLES
 .X + .05 + 1.0 DEG
 .XX + .01 + 1.0 DEG
 .XXX + .005 + 0.5 DEG

IRONWOOD PACIFIC, INC.

STABILIZER

APPROVALS	DATE
RESP ENG BT	

CAD GENERATED DRAWING.
 DO NOT MANUALLY UPDATE
 DO NOT SCALE DRAWING

SIZE	DWG. NO.	REV.
A	03-1091	D
SCALE	CAD FILE: Stabilizer	SHEET 3 OF 3